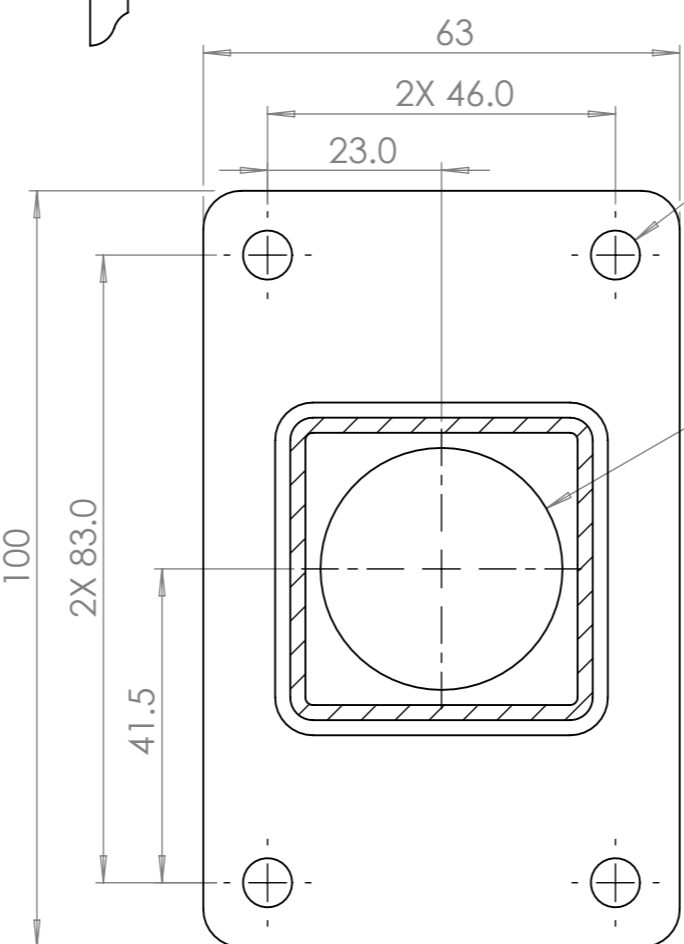
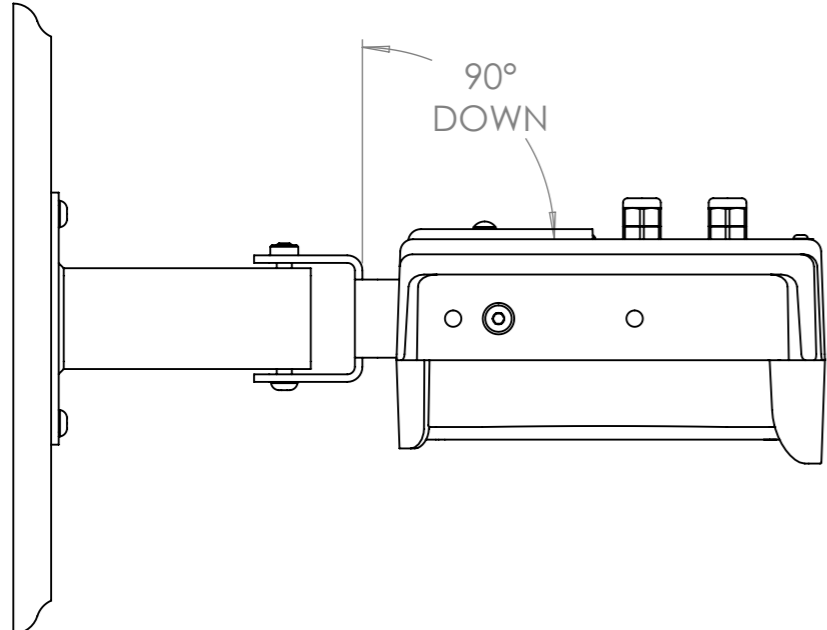
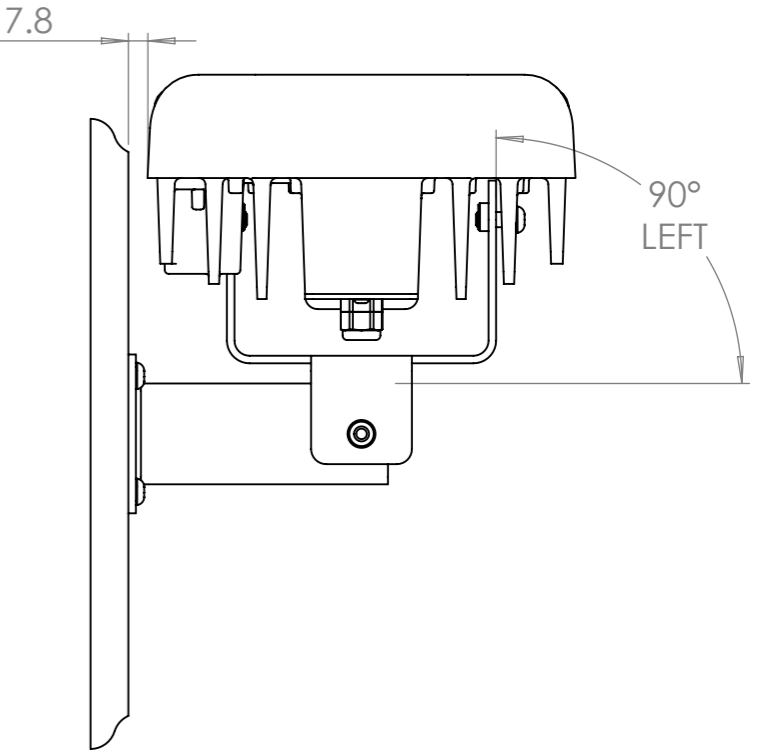
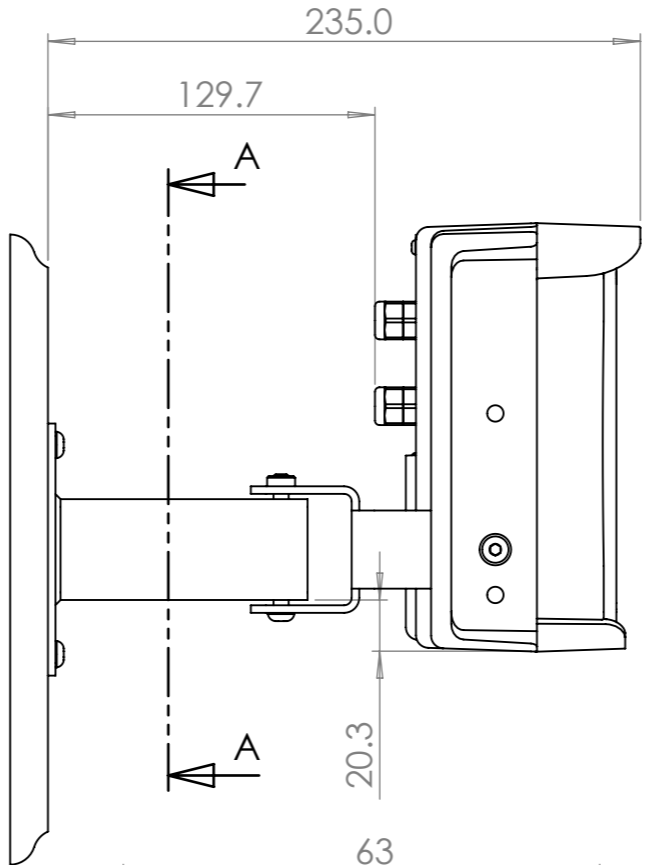
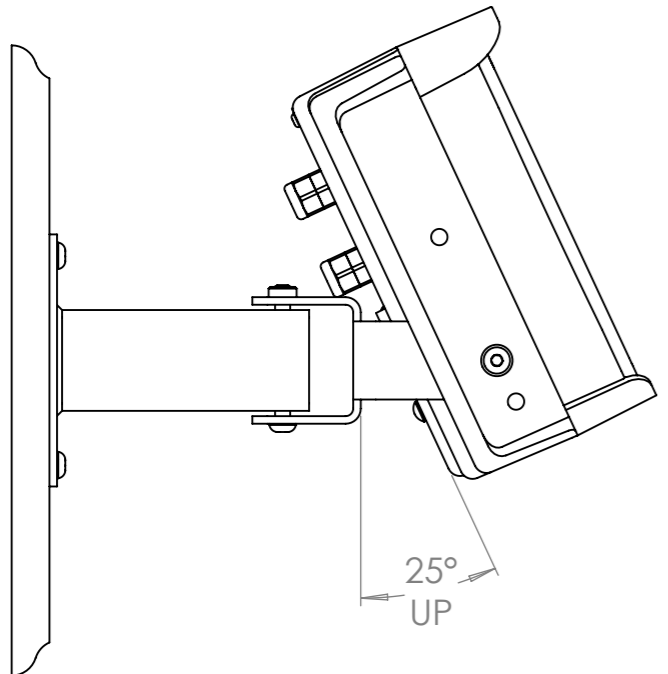


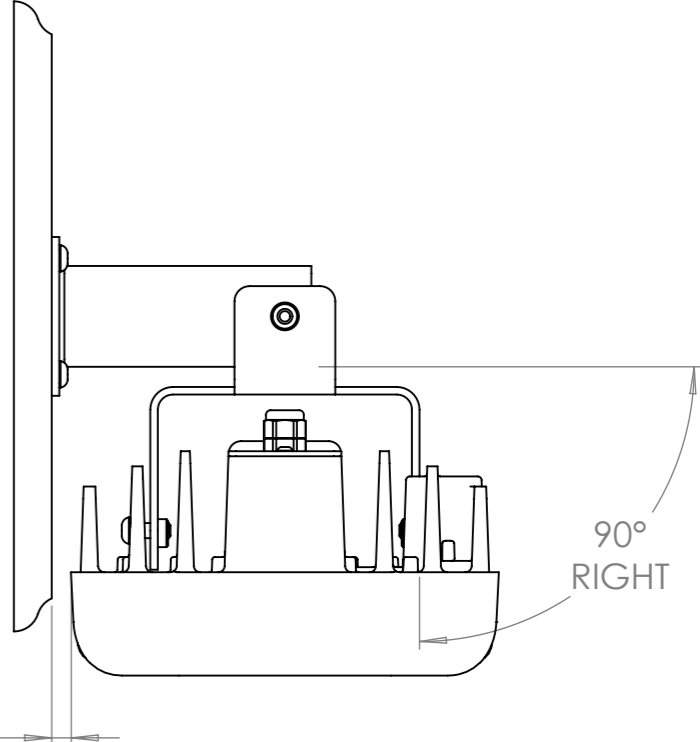
REVISIONS				
ZONE	REV.	DESCRIPTION	DATE	APPROVED
	1	INITIAL RELEASE	10/18/2012	FCH

NOTES:
ALL DIMENSIONS IN MM UNLESS NOTED.



4X ϕ 6.50
SUITABLE FOR M6 OR
#14 MOUNTING
HARDWARE

ϕ 32
THRU HOLE FOR
CABLE ROUTING



SECTION A-A
SCALE 1 : 1

	NAME	SIGNATURE	DATE
DRAWN			
CHK'D			
APPV'D			

NuOPTIC

TITLE: **VIS-1000, PREMIUM PAN/TILT MOUNT INSTALLATION DRAWING**

DWG NO. VIS-1000_Premium_Pan-Tilt_Mount_Installation_Drawing

SCALE: 1:50

REVISION: **1**
A3

SHEET 1 OF 1