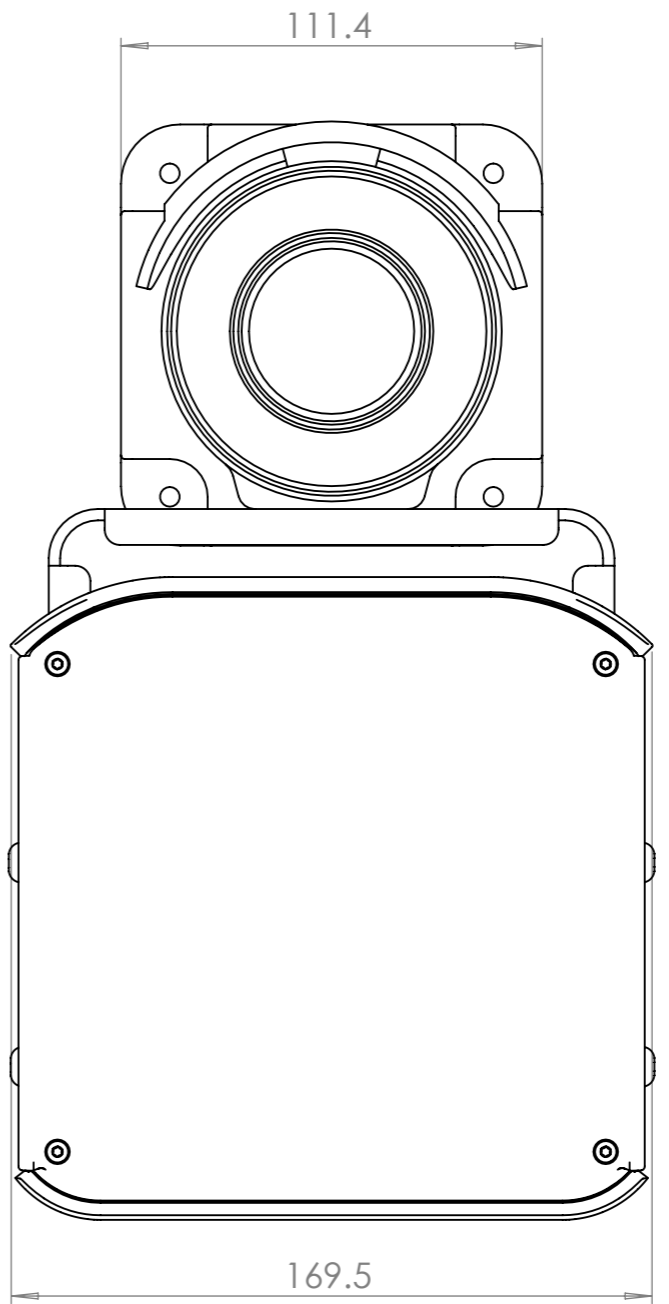
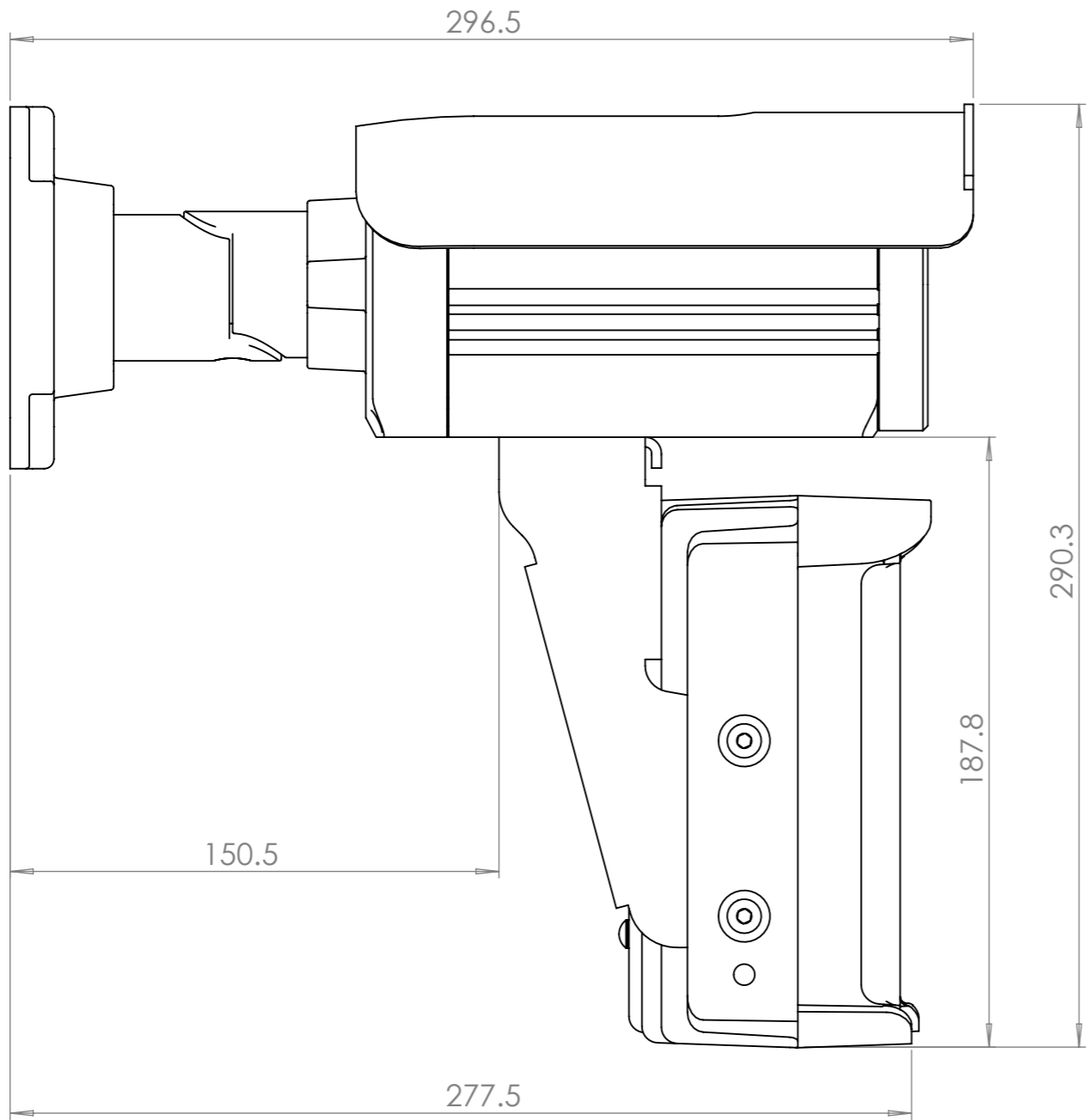


REVISIONS				
ZONE	REV.	DESCRIPTION	DATE	APPROVED
	1	INITIAL RELEASE	8/27/2012	FCH



	NAME	SIGNATURE	DATE
DRAWN			
CHK'D			
APPV'D			



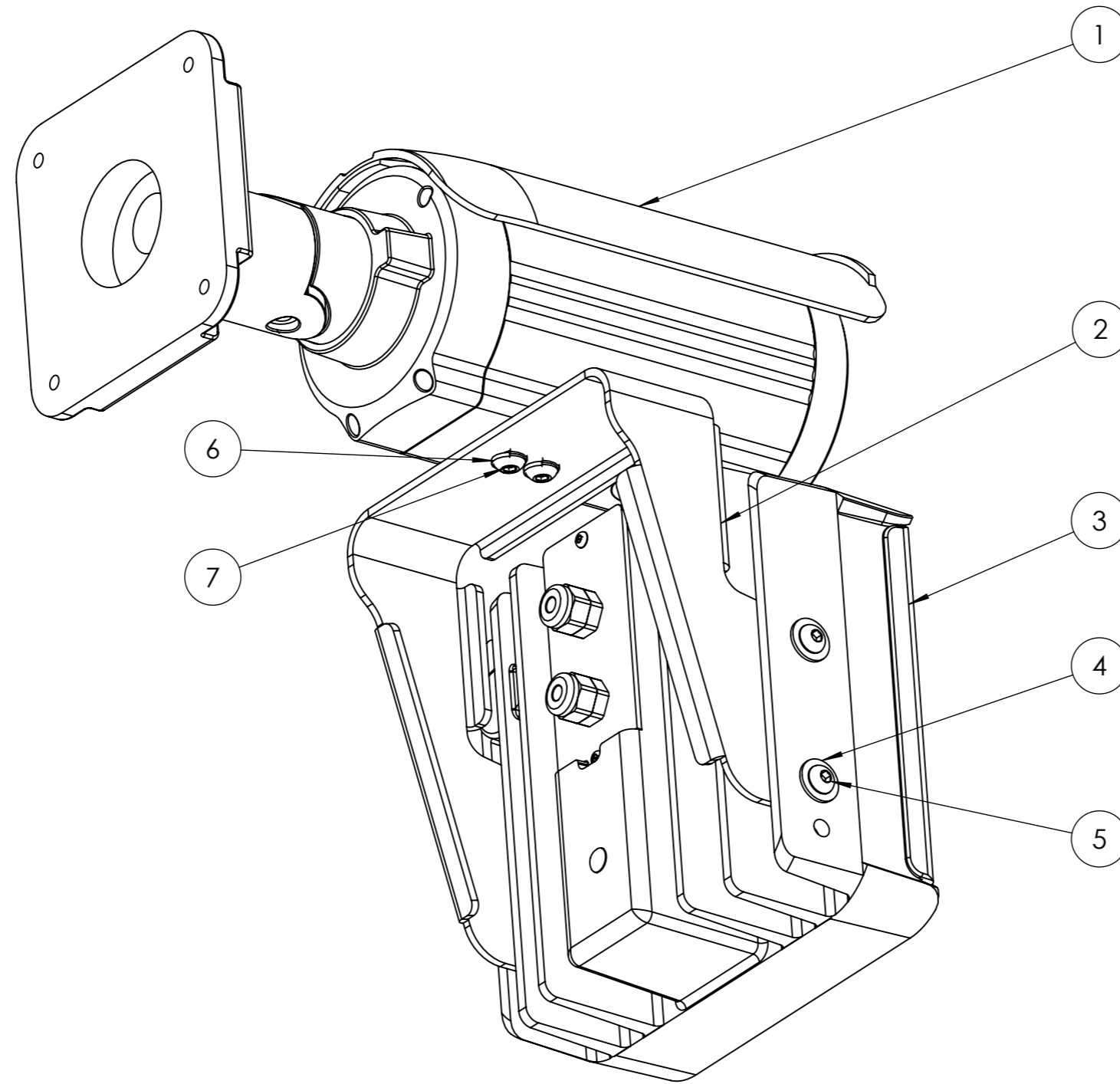
TITLE: VIS-1000 SERIES WITH ARECONT AV5125DN AND CUSTOM MOUNT

DWG NO. VIS-1000_and_Arecont_Bullet_Assy

SCALE: 1:5

SHEET 1 OF 2

REVISION: 1 A3



ITEM NO.	DESCRIPTION	QTY.
1	ARECONT BULLET CAMERA, MEGA VIEW, AV5125DN	1
2	VIS-1000, ARECONT BULLET MOUNT	1
3	VIS-1000, ILLUMINATOR	1
4	WASHER, FLAT, 7.1ID, 16.9OD, 1.7THK, BLACK OXIDE, SS, MCMASTER # 90618A600	4
5	SCREW, M6, HEX, BUTTON, 16MM, BLACK OXIDE, SS, MCMASTER # NA AS BLACK (SPECIAL ORDER) ALTERNATIVE: M6, PHILIPS, BUTTON, 16MM, BLACK OXIDE, SS, MCMASTER #95836A684	4
6	WASHER, LOCK, SPLIT, 1/4-20 SIZE, SS, MCMASTER # 92146A029	2
7	SCREW, 1/4-20, HEX, BUTTON, 3/8" LG, BLACK OXIDE, SS, MCMASTER # 97763A262	2

	NAME	SIGNATURE	DATE
DRAWN			
CHK'D			
APPV'D			



TITLE: VIS-1000 SERIES WITH ARECONT AV5125DN AND CUSTOM MOUNT

DWG NO. VIS-1000_and_Arecont_Bullet_Assy

REVISION: 1 A3

SCALE:1:5

SHEET 2 OF 2