



## VIS-MV1

VIS™ Mount for Arecont MegaView™

### Key Features

- Designed specifically for use with Arecont Vision MegaView™ series cameras
- Compatible with all NuOptic VIS-1000 illuminators which feature built-in zoom capability for optimum image quality
- Designed for easy setup and installation
- Ruggedized design for long life in almost any environment
- Easy positioning adjustment ensures precise alignment between illuminator and camera
- Provides convenient access to MegaView™ camera controls & NuOptic VIS™ illuminator controls

### Description

The VIS-MV1 mount from NuOptic enables world class imaging to be combined with world class illumination. Arecont Vision is a world leader in multimegapixel camera technology and NuOptic is an innovative leader of illumination systems. Combined, the two products produce exceptional image quality in daylight or complete darkness.

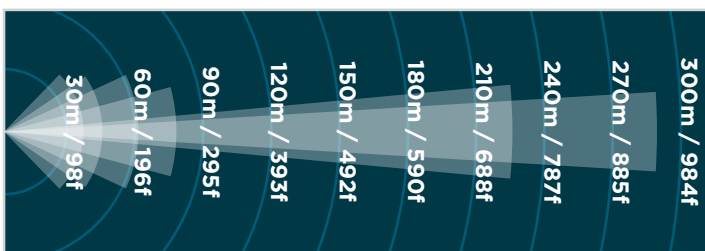
Designed for compatibility with all MegaView™ series cameras, the VIS-MV1 provides easy assembly, installation and setup.

The VIS-MV1 is compatible with all NuOptic Varifocal Illumination System (VIS™) products. Current models include 40 watt (VIS-1040) and 80 watt (VIS-1080) models, available in 850nm, 940nm and white light wavelengths.

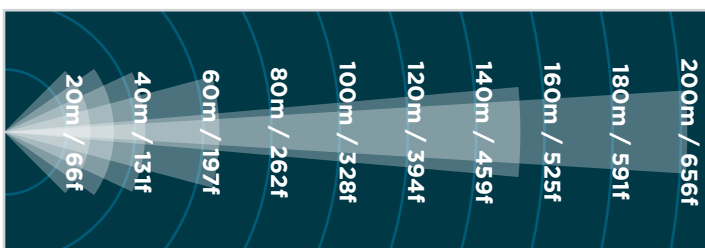
### Technical Specifications

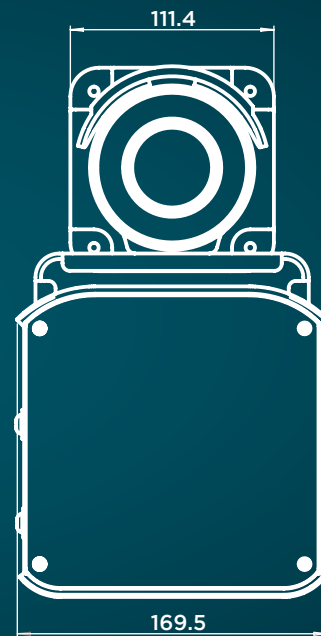
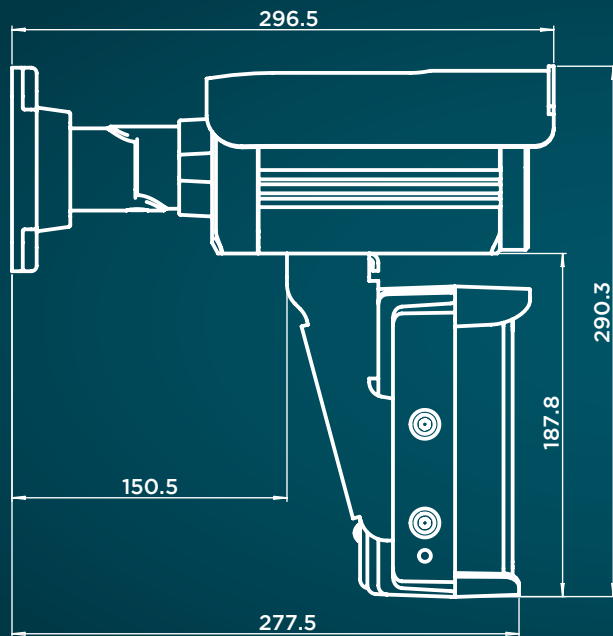
- Designed specifically for Arecont Vision MegaView™ Cameras. Specific models include:  
AV1125IR/AV1125DN AV2125IR/AV2125DN,  
AV3125IR/AV3125DN, AV5125IR/AV52125DN
- Compatible with all NuOptic VIS-1000 series IR and white light illuminators
- Provides up to 285 meters of illumination with the VIS-1080 and up to 202 meters using VIS-1040
- VIS-MV1 mount allows for +/- 83 degrees of pan and +/- 43 degrees of tilt (See back page)
- Mounts to camera with (2) 1/4-20 screws (included)
- Simple adjustment to align illuminator to optical camera center

Approximate coverage from a single VIS-1080-S850  
Illustration shows the unit at 90°, 70°, 50°, 30°, 10°, and 7°.



Approximate coverage from a single unit VIS-1040-S850  
Illustration shows the unit at 90°, 70°, 50°, 30°, 10°, and 7°.





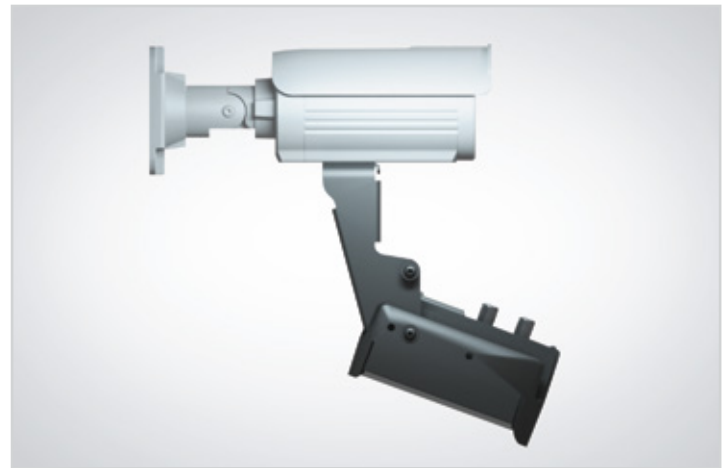
VIS-MV1 Still allows for a +/- 43 degree vertical camera adjustment

### About NuOptic

NuOptic is an innovative leader in illumination products and technologies for the video security market and beyond. Having introduced state-of-the-art varifocal and motorized zooming illuminators, NuOptic is focused on the continual advancement of illumination technologies.

NuOptic VIS™ features a user-adjustable beam angle, and supports multiple protocols including Pelco-D for remote configuration and monitoring. Designed for flexibility and long life, NuOptic VIS™, reduces SKU management, installation time, and costs while improving image quality and overall camera performance.

Headquartered in Fort Collins, Colorado, NuOptic is committed to long-lasting partnerships, built through outstanding customer service, great products, leading technology, and knowledgeable staff.



Easy Access to both Megaview Series camera controls located on bottom of camera as well as easy access to NuOptic Illumination Controls

### About Arecont

Arecont Vision is the leading manufacturer of high-performance megapixel IP cameras and associated software. Arecont Vision products are made in the USA and feature low-cost massively parallel image processing architectures MegaVideo® and SurroundVideo® that represent a drastic departure from traditional analog and network camera designs. All-in-one products such as the MegaDome®, MegaView™ and D4F/D4S/D4SO series provide installer friendly solutions. Compact JPEG and H.264 series of cameras address cost sensitive applications. These innovative technologies enable Arecont Vision to deliver multi-megapixel digital video at IP VGA camera price points.

*\*MegaView™ is a registered trademark of Arecont Vision, Glendale, CA*

