

NuOptic VIS and Moog GeminEye

40W and 80W Illumination Series (Patent Pending)



NuOPTIC Intelligent Illumination

Key Features

- Fully integrated with all NuOptic VIS IR and white light illuminators, including new award-winning True Hybrid illuminators
- Illuminators zoom in and out as the camera is zoomed in and out
- Supports presets, including IR or White Light selection and zoom position to best match camera field of view
- Continuously adjustable illumination angle eliminates hot spots and wasted light, maximizing video quality in all situations

Description

NuOptic, in partnership with Moog, has recently introduced a revolutionary step forward in PTZ technology. By combining NuOptic's award-winning Varifocal Illumination System (VIS) illuminators with the Moog GeminEye Modular Imaging System, the camera and illumination now zoom together for optimal image quality. The GeminEye NuOptic Imaging System was jointly designed to provide the quality, ruggedness, reliability and performance customer have come to expect from all Moog products.

NuOptic VIS technology was designed for ultimate performance when combined with PTZs. Capable of synchronized zooming with the camera, VIS illuminators place light where you need it when you need it. When the camera is zoomed in by the operator or via a preset, the NuOptic illuminator will also zoom, reaching an impressive 6° field of illumination in white light and 9° in infrared. When the camera is zoomed out, these same illuminators will zoom out to a maximum of 70° in white light and 95° in infrared.

Using NuOptic's True Hybrid illuminators, the GeminEye Modular Imaging System is now capable of both infrared and white light. Simply select IR when covert operation is required, or white light when overt operation or color imagery is desired.

Awarded *Best New Product in Video Surveillance Hardware and Accessories* by SIA at ISC West 2013, the NuOptic VIS illuminators redefine flexibility and performance. When paired with the rugged Moog GeminEye, the versatility and functionality of VIS illuminators create a new class of integrated illumination PTZ systems.

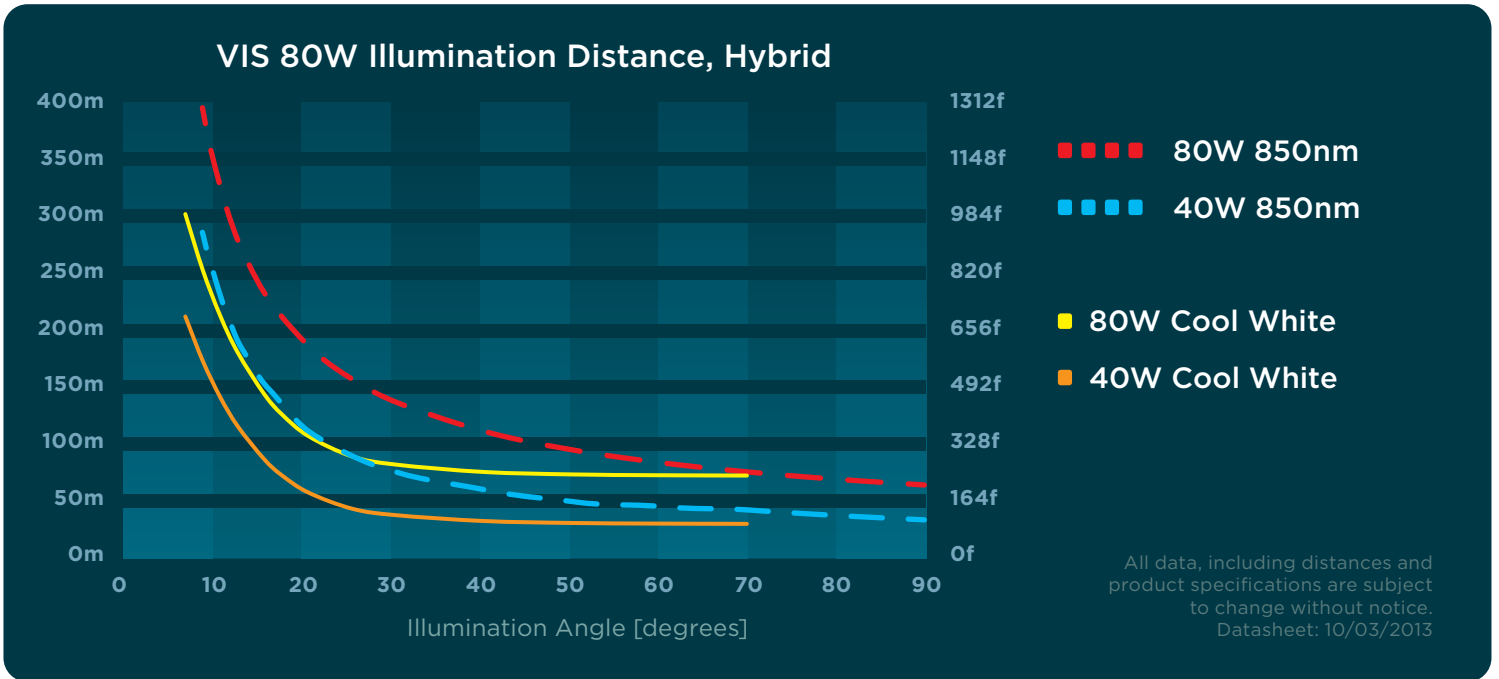
Technical Specifications

- Supports all NuOptic VIS 40 & 80 Watt VIS-1000 Models
 - VIS-10x0-S850, VIS-10x0-S940
 - VIS-10x0-SCW
 - VIS-10x0-SH8, VIS-10x0-SH9
- 360 degree continuous rotation
- Illumination control is fully integrated with camera system so zooming is synchronized, day/night switching is automatic, and light source selection can be made with either Moog PTL-11 or Pelco-D protocols
- Strong, ruggedized, environmentally-protected mounting system designed and manufactured by Moog
- Designed for easy setup and installation
- 5 year warranty on VIS Illuminators*
- Supports preset configurations
- Environmental:
 - IP66 water and dust protection
 - Operating Temp: -40 to +60 °C (VIS-1040)
 - 40 to +50 °C (VIS-1080)

*excludes drive train in continuous motion applications



Distance Performance



About Moog GeminEye

Moog GeminEye Modular Imaging System was developed in response to the demand for high performance day/night surveillance from smaller, smarter, less expensive products. GeminEye embraces high performance in a small, rugged package. The design features quick-change camera modules with true plug-n-play performance, Mil-STD-810F, IP67 (Certified), sealed and pressurized camera housings and no exposed wiring. The system is network or dedicated (UniCom®LT) controllable with full two-way communication.

This completely integrated solution offers responsive, high-speed positioning capabilities and outstanding weather protection in an easy to install package, unmatched in the industry.

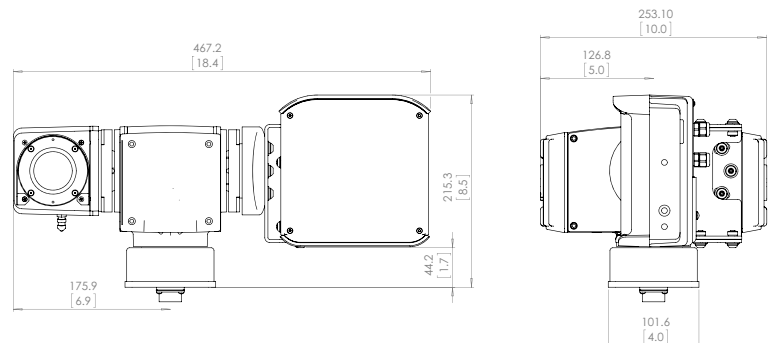
About NuOptic

NuOptic is an innovative leader in illumination products and technologies for the video security market and beyond. Having introduced state-of-the-art varifocal and motorized zooming illuminators, NuOptic is focused on the continual advancement of illumination technologies.

NuOptic VIS™ features a user-adjustable beam angle, and supports multiple protocols including Pelco-D for remote configuration and monitoring. Designed for flexibility and long life, NuOptic VIS™ reduces SKU management, installation time and costs while improving image quality and overall camera performance.

GeminEye Technical Specifications

- Pan range continuous (non-HD)/±180 (HD config)
- Tilt range ±90 degrees
- Variable pan speed 0.25 - 96 degrees/sec
- Variable tilt speed 0.25 - 96 degrees/sec
- Stepper motor drive
- Temperature range (-40 to +50 °C)
- Meets IP67 requirements
- 32 presets and 2 preset tours
- Moog PLT-11 or Pelco D control protocols
- Measurements
 - Weight: 8 kg GeminEye, 2 kg illuminator
 - Max Dimensions: 253.1cm x 467.2cm x 215.3cm



UNITS: CM [INCHES]